

Solid-front Safety Pressure Gauges

Phenolic Case Size 4½", Accuracy 0,5% of F.S.

Standard (BIP115 DSA) or Glycerine Filled (BIP 115 LSA)

Models :
BIP 115 DSA
BIP 115 LSA

APPLICATIONS

For fluid and gaseous, aggressive media which are not highly viscous and do not tend to polymerize; especially for chemical and oil-processing industries acc. to US-standards.

NOMINAL HEAD DIAMETERS

Ø 4½"

ACCURACY CLASS

Grade 2A acc. to ASME B40.1 Standard (± .5% of full span)

PRESSURE RANGES (EN / ASME 837)

0 ... 10 up to 0 ... 15,000 psi resp.

0 ... 0.6 up to 0 ... 1000 bar,

also all vacuum and compound ranges

PRESSURE LIMITATIONS

Steady pressure : full scale value

Cyclic pressure : 90% of full scale value

Temporary : 130% of full scale value

TEMPERATURE LIMITATIONS

Ambient Temp. : Dry : - 40 °C to + 60 °C

Liquid Filled : - 20 °C to + 60 °C

Medium Temp. : Dry : +100 °C Maximal

Liquid Filled : + 70 °C Maximal

PROTECTION TYPE (EN 60 529 / IEC 529)

IP 65

STANDARD CONFIGURATION

CASE AND RING

Phenolic Black.

SOCKET AND BOURDON TUBE

In AISI 316 L stainless steel, argon are welded

• 600 psi resp 40 bar and bellow = C form

• 800 psi resp 60 bar and above = helical

MOVEMENT

Stainless Steel AISI 316 L

DIAL PLATE

Aluminium alloy, black figures, white background

POINTER

Aluminium alloy, Micro-adjustable pointer

PROCESS CONNECTION

½" NPT bottom connection

WINDOW

Laminated safety glass

SAFETY FEATURES

Solid front between measuring system and dial with full blow-out safety back.

Should the bourdon tube rupture, the entire case back separates, allowing full relief.

BLOW-OUT BACK

Same material as case ring, hinger for safety (will not become a projectile)



COMPENSATION DIAPHRAGM

Elastomer (ready for filling, no fill kit required)

OPTIONAL SPECIAL CONFIGURATIONS

⇒ ¼" NPT or ½" BSP - Connection

(other connection threads upon request)

⇒ Wetted parts **MONEL** model BIPS 115 DSA or BIPS 115 LSA

⇒ Other case filling, e.g. silicone oil, other upon request

⇒ Special scales or dual ranges

⇒ Receiver gauge 0.2-1 bar or 3-15 psi

⇒ Oxigene service, free of grease and oil

⇒ Electrical accessories upon request

⇒ **Capsule Gauges for Low Ranges**

Scale in mmH2O or mbar

HOW TO ORDER

Please select :

- | | BIP | 115 | D | S | A |
|--|-------|-------|-------|-------|-------|
| 1. Model code : BIP | _____ | _____ | _____ | _____ | _____ |
| 2. Nominal head diameter 4 ½" | _____ | _____ | _____ | _____ | _____ |
| 3. D = Dry / Standard, L = Liquid filled | _____ | _____ | _____ | _____ | _____ |
| 4. Tube and socket material : | _____ | _____ | _____ | _____ | _____ |
| S = Stainless steel AISI 316 L | _____ | _____ | _____ | _____ | _____ |
| 5. Code letter for bottom connection | _____ | _____ | _____ | _____ | _____ |

EXAMPLE OF ORDER NUMBER

Pressure Gauges, Ø 4 ½"

Material case in black phenol

Range : 0- 1000 psi

Bottom connection : ½" NPT

Liquid filled

Order Number : **BIP 115 LSA**

Solid-front Safety Pressure Gauges

Phenolic Case Size 4½", Accuracy 0,5% of F.S.

Standard (BIP115 DSA) or Glycerine Filled (BIP 115 LSA)

Models :
BIP 115 DSA
BIP 115 LSA

Standard Pressure Ranges / Scale Division

PRESSURE - SINGLE SCALE RANGES in PSI

Range	Dial Graduations	
	minor graduation	figure internal
0/15	0,1	1
0/30	0,2	5
0/60	0,5	5
0/100	1	10
0/160	1	20
0/200	2	20
0/300	2	50
0/400	5	50
0/600	5	50
0/800	10	100
0/1000	10	100
0/1500	10	200
0/2000	20	200
0/3000	20	500
0/5000	50	500
0/10000	100	1000
0/20000	200	2000

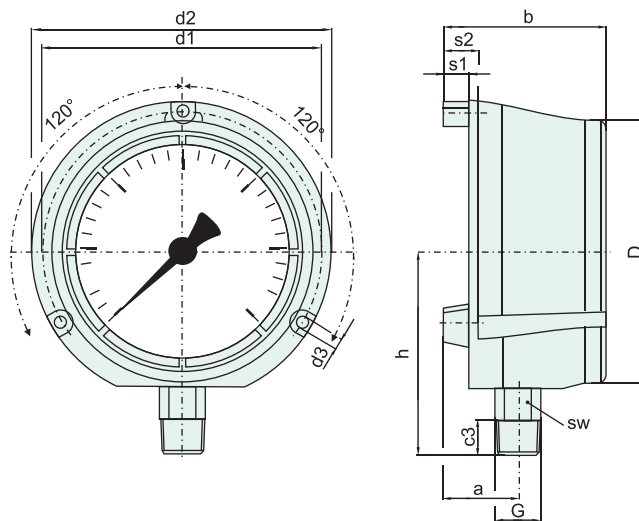
PRESSURE - SINGLE SCALE RANGES in Kg/cm² or bar

Range	Dial Graduations	
	minor graduation	figure internal
0/1	0.01	0.1
0/1.6	0.02	0.2
0/2.5	0.02	0.5
0/4	0.05	0.5
0/6	0.05	0.5
0/10	0.1	1
0/16	0.2	2
0/25	0.2	5
0/40	0.5	5
0/60	0.5	5
0/100	1	10
0/160	2	20
0/250	2	50
0/400	5	50
0/600	5	50
0/1.000	10	100
0/1.600	20	200

Note : For standard ranges vacuum and compounds
 see page 4

CASE CONFIGURATIONS AND DIMENSIONAL DATA

Bottom Connection,
 Rear mounting flange integrated to the case



Dimensional Data (mm) and Weight (kg)

Nominal Case Size	a	b	c3	D	d1	d2	d3	h	s1	s2	SW	G	Weight approx	
													Dry	Liquid Filled
4 1/2"	37.5	80	19	129	137	148	6,1	102	12.5	17	22	1/2" NPT	0.85	1.25